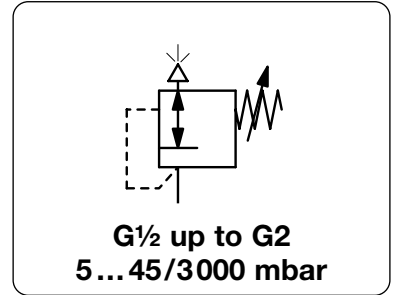


Description	Diaphragm back pressure regulators protect pneumatic devices against overpressure. If the pressure exceeds the setpoint, the pressure valve exhausts to the atmosphere until the pressure level is below the setpoint. It is advisable to select the pressure range as near as possible to the maximum setpoint.
Media	compressed air or non-corrosive gases
Overpressure	max. 6 bar
Adjustment	by handwheel with locknut for DBC-04 by hexagonal spindle (spanner size 24 mm) with locknut for DBC-08/-16
Gauge port	G $\frac{1}{4}$ for operation pressure, on both sides of the body, connection parts required
Mounting position	any
Temperature range	-20 °C to 60 °C / -4 °F to 140 °F
Material	Body: aluminium Diaphragm: NBR/Buna-N with PTFE coating O-rings: NBR/Buna-N, optionally FKM or EPDM Inner valve: brass



Dimensions			Relief capacity l/min*1	Over-pressure max. bar	Connection thread G	Adjustment range mbar	Order number
A	B	C					
mm	mm	mm					

Aluminium back pressure regulator			NBR/Buna-N with PTFE coating		DBC		
82	186	38	300	1	G $\frac{1}{2}$	5... 45	DBC-04N
			500			20... 200	DBC-04P
			1000			150... 700	DBC-04Q
161	290	45	1300	6	G $\frac{3}{4}$	50... 300	DBC-06P
			2300			100... 700	DBC-06Q
			5000			200... 1200	DBC-06R
161	290	45	1300	6	G1	50... 300	DBC-08P
			2300			100... 700	DBC-08Q
			5000			200... 1200	DBC-08R
265	290	45	1300	6	G1 $\frac{1}{4}$	50... 300	DBC-10P
			2300			100... 700	DBC-10Q
			5000			200... 1200	DBC-10R
265	290	45	1300	6	G1 $\frac{1}{2}$	50... 300	DBC-1AP
			2300			100... 700	DBC-1AQ
			5000			200... 1200	DBC-1AR
192	444	128	2500	6	G1 $\frac{1}{2}$	20... 50	DBC-12N
			5000			50... 150	DBC-12P
			7500			150... 300	DBC-12Q
			10000			300... 3000	DBC-12R
192	444	128	2500	6	G2	20... 50	DBC-16N
			5000			50... 150	DBC-16P
			7500			150... 300	DBC-16Q
			10000			300... 3000	DBC-16R



DBC-04



DBC-06/-08



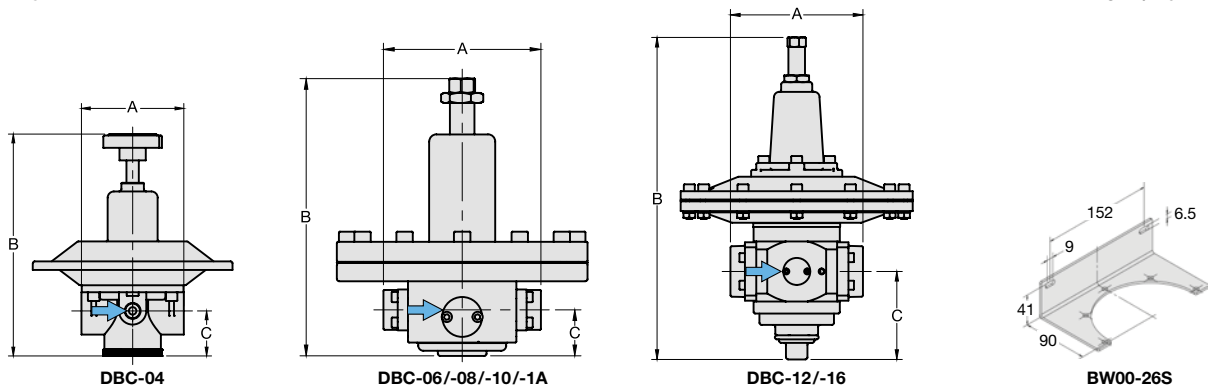
DBC-12/-16

Special options, add the appropriate letter

NPT	connection thread	DBC-... N
FKM o-ring	PTFE-diaphragm	DBC-... V
EPDM o-ring	PTFE-diaphragm	DBC-... E
flange connection	see chapter for stainless steel devices / flanges	DBC-... F.

Accessories, enclosed

pressure gauge	Ø 63 mm, 0...*2 mbar, G $\frac{1}{4}$, capsule type, up to 400 mbar	MA6302-...*2
	Ø 63 mm, 0...*2 bar, G $\frac{1}{4}$, Bourdon tube, up 1 bar	MA6302-...*2
connection parts	required for pressure gauge	AM-01
mounting bracket	made of stainless steel for G $\frac{1}{2}$	BW00-26S



*1 at 6 bar overpressure and open outlet
*2 B6 = 0...60 mbar, C2 = 0...160 mbar, C4 = 0...400 mbar, C01 = 0...1 bar, 04 = 0...4 bar, 06 = 0...6 bar

Gauges: see chapter for measuring devices

PDF CAD
www.aircom.net

* Product group



Order example:
DBC-04N